

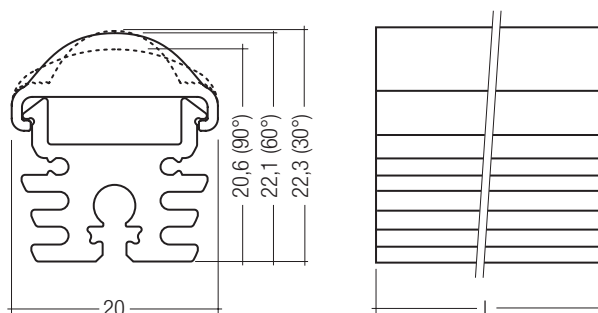
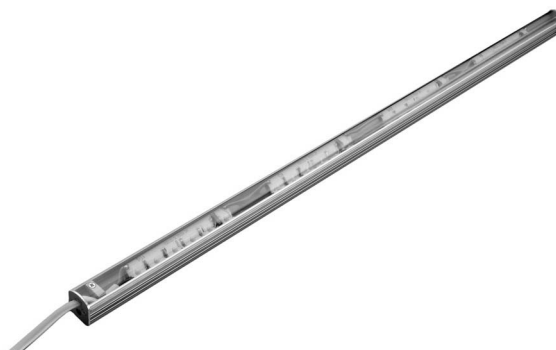
IP20 

TALEXengine LINE
TALEXengine LINE

Easy Clip System

Product description

- For displaying products on shelves and in cabinets
- For use in luminaires
- Wide range of products
- Complete solution with standard cable and mounting profile, ready for connection
- Connecting cable: H03VVH, white, length: 1 m
- Cross-section of connecting cable: 2 x 0.75 mm²
- High efficiency thanks to directional lighting and integrated heat removal
- High quality of light thanks to a combination of COB LEDs and optics
- Long life: 35,000 hours (for a 70 % drop in luminous flux and tc point temperature of 45 °C)
- Simple installation with mounting plate (optional)
- Can be expanded with extensive accessories (optional)
- Dimmable by pulse width modulation (PWM)
- Cooling section made of anodised, extruded aluminium
- End caps made of aluminium
- Linear lenses made of PMMA
- Safety extra low voltage (SELV), protection class III



Technical data

| | |
|--|----------------|
| Supply voltage DC [®] | 24 V |
| Ambient temperature ta | -30 ... +30 °C |
| Max. surface temperature on profile tc | 65 °C |
| Type of protection | IP20 |
| Protection class | III |



Standards, page 5

Colour temperatures and tolerances, page 7

Ordering data

| Colour temperature | Colour | Lens | Type | Article number |
|------------------------|----------------|------|--------------------------------------|----------------|
| Length 600 mm | | | | |
| 6,500 K | Daylight white | 30° | LED LE600 4P130-2 DL 24V - 30° Z22W | 89600990 |
| 6,500 K | Daylight white | 60° | LED LE600 4P130-2 DL 24V - 60° Z22W | 89601002 |
| 6,500 K | Daylight white | 90° | LED LE600 4P130-2 DL 24V - 90° Z22W | 89601012 |
| 4,200 K | Neutral white | 30° | LED LE600 4P130-2 NW 24V - 30° Z22W | 89600994 |
| 4,200 K | Neutral white | 60° | LED LE600 4P130-2 NW 24V - 60° Z22W | 89601005 |
| 4,200 K | Neutral white | 90° | LED LE600 4P130-2 NW 24V - 90° Z22W | 89601017 |
| 3,000 K | Warm white | 30° | LED LE600 4P130-2 WW 24V - 30° Z22W | 89600998 |
| 3,000 K | Warm white | 60° | LED LE600 4P130-2 WW 24V - 60° Z22W | 89601008 |
| 3,000 K | Warm white | 90° | LED LE600 4P130-2 WW 24V - 90° Z22W | 89601021 |
| Length 1,000 mm | | | | |
| 6,500 K | Daylight white | 30° | LED LE1000 6P130-2 DL 24V - 30° Z22W | 89600991 |
| 6,500 K | Daylight white | 60° | LED LE1000 6P130-2 DL 24V - 60° Z22W | 89601003 |
| 6,500 K | Daylight white | 90° | LED LE1000 6P130-2 DL 24V - 90° Z22W | 89601013 |
| 4,200 K | Neutral white | 30° | LED LE1000 6P130-2 NW 24V - 30° Z22W | 89600995 |
| 4,200 K | Neutral white | 60° | LED LE1000 6P130-2 NW 24V - 60° Z22W | 89601006 |
| 4,200 K | Neutral white | 90° | LED LE1000 6P130-2 NW 24V - 90° Z22W | 89601018 |
| 3,000 K | Warm white | 30° | LED LE1000 6P130-2 WW 24V - 30° Z22W | 89600999 |
| 3,000 K | Warm white | 60° | LED LE1000 6P130-2 WW 24V - 60° Z22W | 89601009 |
| 3,000 K | Warm white | 90° | LED LE1000 6P130-2 WW 24V - 90° Z22W | 89601022 |
| Length 1,200 mm | | | | |
| 6,500 K | Daylight white | 30° | LED LE1200 7P130-2 DL 24V - 30° Z22W | 89600992 |
| 6,500 K | Daylight white | 60° | LED LE1200 7P130-2 DL 24V - 60° Z22W | 89601004 |
| 6,500 K | Daylight white | 90° | LED LE1200 7P130-2 DL 24V - 90° Z22W | 89601014 |
| 4,200 K | Neutral white | 30° | LED LE1200 7P130-2 NW 24V - 30° Z22W | 89600996 |
| 4,200 K | Neutral white | 60° | LED LE1200 7P130-2 NW 24V - 60° Z22W | 89600905 |
| 4,200 K | Neutral white | 90° | LED LE1200 7P130-2 NW 24V - 90° Z22W | 89601019 |
| 3,000 K | Warm white | 30° | LED LE1200 7P130-2 WW 24V - 30° Z22W | 89601000 |
| 3,000 K | Warm white | 60° | LED LE1200 7P130-2 WW 24V - 60° Z22W | 89601010 |
| 3,000 K | Warm white | 90° | LED LE1200 7P130-2 WW 24V - 90° Z22W | 89601023 |

Packaging: 25 pieces

Ordering data

| Colour temperature | Colour | Lens | Type | Article number |
|------------------------|----------------|------|--------------------------------------|----------------|
| Length 1,500 mm | | | | |
| 6,500 K | Daylight white | 30° | LED LE1500 9P130-2 DL 24V - 30° Z22W | 89600993 |
| 6,500 K | Daylight white | 60° | LED LE1500 9P130-2 DL 24V - 60° Z22W | 89601016 |
| 6,500 K | Daylight white | 90° | LED LE1500 9P130-2 DL 24V - 90° Z22W | 89601015 |
| 4,200 K | Neutral white | 30° | LED LE1500 9P130-2 NW 24V - 30° Z22W | 89600997 |
| 4,200 K | Neutral white | 60° | LED LE1500 9P130-2 NW 24V - 60° Z22W | 89601007 |
| 4,200 K | Neutral white | 90° | LED LE1500 9P130-2 NW 24V - 90° Z22W | 89601020 |
| 3,000 K | Warm white | 30° | LED LE1500 9P130-2 WW 24V - 30° Z22W | 89601001 |
| 3,000 K | Warm white | 60° | LED LE1500 9P130-2 WW 24V - 60° Z22W | 89601011 |
| 3,000 K | Warm white | 90° | LED LE1500 9P130-2 WW 24V - 90° Z22W | 89601024 |

Packaging: 25 pieces

Specific technical data

| Type | Number of LED modules P130-2 | Typ. luminous flux ^① | Power ^② | Colour rendering index CRI ^③ | Weight |
|--------------------------------------|------------------------------|---------------------------------|--------------------|---|----------|
| Length 600 mm | | | | | |
| LED LE600 4P130-2 DL 24V - 30° Z22W | 4 | 424 lm | 12 W | 75 | 0.128 kg |
| LED LE600 4P130-2 DL 24V - 60° Z22W | 4 | 424 lm | 12 W | 75 | 0.128 kg |
| LED LE600 4P130-2 DL 24V - 90° Z22W | 4 | 424 lm | 12 W | 75 | 0.128 kg |
| LED LE600 4P130-2 NW 24V - 30° Z22W | 4 | 352 lm | 12 W | 80 | 0.128 kg |
| LED LE600 4P130-2 NW 24V - 60° Z22W | 4 | 352 lm | 12 W | 80 | 0.128 kg |
| LED LE600 4P130-2 NW 24V - 90° Z22W | 4 | 352 lm | 12 W | 80 | 0.128 kg |
| LED LE600 4P130-2 WW 24V - 30° Z22W | 4 | 324 lm | 12 W | 80 | 0.128 kg |
| LED LE600 4P130-2 WW 24V - 60° Z22W | 4 | 324 lm | 12 W | 80 | 0.128 kg |
| LED LE600 4P130-2 WW 24V - 90° Z22W | 4 | 324 lm | 12 W | 80 | 0.128 kg |
| Length 1,000 mm | | | | | |
| LED LE1000 6P130-2 DL 24V - 30° Z22W | 6 | 636 lm | 18 W | 75 | 0.500 kg |
| LED LE1000 6P130-2 DL 24V - 60° Z22W | 6 | 636 lm | 18 W | 75 | 0.128 kg |
| LED LE1000 6P130-2 DL 24V - 90° Z22W | 6 | 636 lm | 18 W | 75 | 0.128 kg |
| LED LE1000 6P130-2 NW 24V - 30° Z22W | 6 | 528 lm | 18 W | 80 | 0.128 kg |
| LED LE1000 6P130-2 NW 24V - 60° Z22W | 6 | 528 lm | 18 W | 80 | 0.128 kg |
| LED LE1000 6P130-2 NW 24V - 90° Z22W | 6 | 528 lm | 18 W | 80 | 0.128 kg |
| LED LE1000 6P130-2 WW 24V - 30° Z22W | 6 | 486 lm | 18 W | 80 | 0.128 kg |
| LED LE1000 6P130-2 WW 24V - 60° Z22W | 6 | 486 lm | 18 W | 80 | 0.128 kg |
| LED LE1000 6P130-2 WW 24V - 90° Z22W | 6 | 486 lm | 18 W | 80 | 0.128 kg |
| Length 1,200 mm | | | | | |
| LED LE1200 7P130-2 DL 24V - 30° Z22W | 7 | 742 lm | 21 W | 75 | 0.128 kg |
| LED LE1200 7P130-2 DL 24V - 60° Z22W | 7 | 742 lm | 21 W | 75 | 0.128 kg |
| LED LE1200 7P130-2 DL 24V - 90° Z22W | 7 | 742 lm | 21 W | 75 | 0.128 kg |
| LED LE1200 7P130-2 NW 24V - 30° Z22W | 7 | 616 lm | 21 W | 80 | 0.128 kg |
| LED LE1200 7P130-2 NW 24V - 60° Z22W | 7 | 616 lm | 21 W | 80 | 0.865 kg |
| LED LE1200 7P130-2 NW 24V - 90° Z22W | 7 | 616 lm | 21 W | 80 | 0.128 kg |
| LED LE1200 7P130-2 WW 24V - 30° Z22W | 7 | 567 lm | 21 W | 80 | 0.128 kg |
| LED LE1200 7P130-2 WW 24V - 60° Z22W | 7 | 567 lm | 21 W | 80 | 0.128 kg |
| LED LE1200 7P130-2 WW 24V - 90° Z22W | 7 | 567 lm | 21 W | 80 | 0.128 kg |
| Length 1,500 mm | | | | | |
| LED LE1500 9P130-2 DL 24V - 30° Z22W | 9 | 954 lm | 27 W | 75 | 0.128 kg |
| LED LE1500 9P130-2 DL 24V - 60° Z22W | 9 | 954 lm | 27 W | 75 | 0.128 kg |
| LED LE1500 9P130-2 DL 24V - 90° Z22W | 9 | 954 lm | 27 W | 75 | 0.128 kg |
| LED LE1500 9P130-2 NW 24V - 30° Z22W | 9 | 792 lm | 27 W | 80 | 0.128 kg |
| LED LE1500 9P130-2 NW 24V - 60° Z22W | 9 | 792 lm | 27 W | 80 | 0.128 kg |
| LED LE1500 9P130-2 NW 24V - 90° Z22W | 9 | 792 lm | 27 W | 80 | 0.128 kg |
| LED LE1500 9P130-2 WW 24V - 30° Z22W | 9 | 729 lm | 27 W | 80 | 0.128 kg |
| LED LE1500 9P130-2 WW 24V - 60° Z22W | 9 | 729 lm | 27 W | 80 | 0.128 kg |
| LED LE1500 9P130-2 WW 24V - 90° Z22W | 9 | 729 lm | 27 W | 80 | 0.128 kg |

^① Tolerance range for optical data: ±15 % (values without lens).

^② Tolerance range for electrical data: ±15 %.

^③ Exceeding the max. operating voltage leads to an overload on the TALEX module. This may in turn result in a significant reduction in lifetime or even in destruction. Tolerance range for the supply voltage: +2 V / -0 V.

All values at ta = 25 °C and tc profil = 35 °C.

Converters matrix – TALEXengine LINE, constant voltage

| | | REMOTE LCU | | | | | | | | | | | | | | IN-BUILT LCU | | | | | | | |
|--------------------------------------|----------|-----------------------|----------|--------------------------|----------|-----------------------|----------|--------------------------------|----------|--------------------------------|----------|--------------------------------|------|--------------------------------|------|-------------------------------|-------------------------------|-------------------------------|------|------|------|---|----|
| Type | Art. no. | 0025 K201 24VDC | | 0025 K210 24V one4all | | 0025 K211 24V DALI | | LCU 035/24 E020 120-240V | | LCU 060/24 E020 120-240V | | LCU 100/24 E020 120-240V | | LCU 150/24 E020 120-240V | | LCU 060/24 D10 120-240V | LCU 100/24 D10 120-240V | LCU 150/24 D10 120-240V | | | | | |
| | | 86453418 | 86455937 | 86455066 | 24166320 | 24166324 | 24166328 | 24166333 | 22185184 | 22185185 | 22185186 | | | | | | | | | | | | |
| | | Assignable converters | | | | | | | | | | | | | | Assignable converters | | | | | | | |
| Type | Art. no. | Number of engines | | | | | | | | | | | | Number of engines | | | | | | | | | |
| | | Min. | Max. | Min. | Max. | Min. | Max. | Min. | Max. | Min. | Max. | Min. | Max. | Min. | Max. | Min. | Max. | Min. | Max. | Min. | Max. | | |
| Length – 600 mm | | | | | | | | | | | | | | | | | | | | | | | |
| LED LE600 4P130-2 DL 24V - 30° Z22W | 89600990 | 1 | 2 | 1 | 2 | 1 | 2 | 1 | 2 | 1 | 2 | 1 | 5 | 1 | 8 | 2 | 12 | 1 | 5 | 1 | 8 | 2 | 12 |
| LED LE600 4P130-2 DL 24V - 60° Z22W | 89601002 | 1 | 2 | 1 | 2 | 1 | 2 | 1 | 2 | 1 | 2 | 1 | 5 | 1 | 8 | 2 | 12 | 1 | 5 | 1 | 8 | 2 | 12 |
| LED LE600 4P130-2 DL 24V - 90° Z22W | 89601012 | 1 | 2 | 1 | 2 | 1 | 2 | 1 | 2 | 1 | 2 | 1 | 5 | 1 | 8 | 2 | 12 | 1 | 5 | 1 | 8 | 2 | 12 |
| LED LE600 4P130-2 NW 24V - 30° Z22W | 89600994 | 1 | 2 | 1 | 2 | 1 | 2 | 1 | 2 | 1 | 2 | 1 | 5 | 1 | 8 | 2 | 12 | 1 | 5 | 1 | 8 | 2 | 12 |
| LED LE600 4P130-2 NW 24V - 60° Z22W | 89601005 | 1 | 2 | 1 | 2 | 1 | 2 | 1 | 2 | 1 | 2 | 1 | 5 | 1 | 8 | 2 | 12 | 1 | 5 | 1 | 8 | 2 | 12 |
| LED LE600 4P130-2 NW 24V - 90° Z22W | 89601017 | 1 | 2 | 1 | 2 | 1 | 2 | 1 | 2 | 1 | 2 | 1 | 5 | 1 | 8 | 2 | 12 | 1 | 5 | 1 | 8 | 2 | 12 |
| LED LE600 4P130-2 WW 24V - 30° Z22W | 89600998 | 1 | 2 | 1 | 2 | 1 | 2 | 1 | 2 | 1 | 2 | 1 | 5 | 1 | 8 | 2 | 12 | 1 | 5 | 1 | 8 | 2 | 12 |
| LED LE600 4P130-2 WW 24V - 60° Z22W | 89601008 | 1 | 2 | 1 | 2 | 1 | 2 | 1 | 2 | 1 | 2 | 1 | 5 | 1 | 8 | 2 | 12 | 1 | 5 | 1 | 8 | 2 | 12 |
| LED LE600 4P130-2 WW 24V - 90° Z22W | 89601021 | 1 | 2 | 1 | 2 | 1 | 2 | 1 | 2 | 1 | 2 | 1 | 5 | 1 | 8 | 2 | 12 | 1 | 5 | 1 | 8 | 2 | 12 |
| Length – 1.000 mm | | | | | | | | | | | | | | | | | | | | | | | |
| LED LE1000 6P130-2 DL 24V - 30° Z22W | 89600991 | 1 | 1 | 1 | 1 | 1 | 1 | 1 | 1 | 1 | 1 | 3 | 1 | 5 | 2 | 8 | 1 | 3 | 1 | 5 | 2 | 8 | |
| LED LE1000 6P130-2 DL 24V - 60° Z22W | 89601003 | 1 | 1 | 1 | 1 | 1 | 1 | 1 | 1 | 1 | 1 | 3 | 1 | 5 | 2 | 8 | 1 | 3 | 1 | 5 | 2 | 8 | |
| LED LE1000 6P130-2 DL 24V - 90° Z22W | 89601013 | 1 | 1 | 1 | 1 | 1 | 1 | 1 | 1 | 1 | 1 | 3 | 1 | 5 | 2 | 8 | 1 | 3 | 1 | 5 | 2 | 8 | |
| LED LE1000 6P130-2 NW 24V - 30° Z22W | 89600995 | 1 | 1 | 1 | 1 | 1 | 1 | 1 | 1 | 1 | 1 | 3 | 1 | 5 | 2 | 8 | 1 | 3 | 1 | 5 | 2 | 8 | |
| LED LE1000 6P130-2 NW 24V - 60° Z22W | 89601006 | 1 | 1 | 1 | 1 | 1 | 1 | 1 | 1 | 1 | 1 | 3 | 1 | 5 | 2 | 8 | 1 | 3 | 1 | 5 | 2 | 8 | |
| LED LE1000 6P130-2 NW 24V - 90° Z22W | 89601018 | 1 | 1 | 1 | 1 | 1 | 1 | 1 | 1 | 1 | 1 | 3 | 1 | 5 | 2 | 8 | 1 | 3 | 1 | 5 | 2 | 8 | |
| LED LE1000 6P130-2 WW 24V - 30° Z22W | 89600999 | 1 | 1 | 1 | 1 | 1 | 1 | 1 | 1 | 1 | 1 | 3 | 1 | 5 | 1 | 8 | 1 | 3 | 1 | 5 | 2 | 8 | |
| LED LE1000 6P130-2 WW 24V - 60° Z22W | 89601009 | 1 | 1 | 1 | 1 | 1 | 1 | 1 | 1 | 1 | 1 | 3 | 1 | 5 | 2 | 8 | 1 | 3 | 1 | 5 | 2 | 8 | |
| LED LE1000 6P130-2 WW 24V - 90° Z22W | 89601022 | 1 | 1 | 1 | 1 | 1 | 1 | 1 | 1 | 1 | 1 | 3 | 1 | 5 | 2 | 8 | 1 | 3 | 1 | 5 | 2 | 8 | |
| Length – 1.200 mm | | | | | | | | | | | | | | | | | | | | | | | |
| LED LE1200 7P130-2 DL 24V - 30° Z22W | 89600992 | 1 | 1 | 1 | 1 | 1 | 1 | 1 | 1 | 1 | 1 | 2 | 1 | 4 | 1 | 7 | 1 | 2 | 1 | 4 | 1 | 7 | |
| LED LE1200 7P130-2 DL 24V - 60° Z22W | 89601004 | 1 | 1 | 1 | 1 | 1 | 1 | 1 | 1 | 1 | 1 | 2 | 1 | 4 | 1 | 7 | 1 | 2 | 1 | 4 | 1 | 7 | |
| LED LE1200 7P130-2 DL 24V - 90° Z22W | 89601014 | 1 | 1 | 1 | 1 | 1 | 1 | 1 | 1 | 1 | 1 | 2 | 1 | 4 | 1 | 7 | 1 | 2 | 1 | 4 | 1 | 7 | |
| LED LE1200 7P130-2 NW 24V - 30° Z22W | 89600996 | 1 | 1 | 1 | 1 | 1 | 1 | 1 | 1 | 1 | 1 | 2 | 1 | 4 | 1 | 7 | 1 | 2 | 1 | 4 | 1 | 7 | |
| LED LE1200 7P130-2 NW 24V - 60° Z22W | 89600905 | 1 | 1 | 1 | 1 | 1 | 1 | 1 | 1 | 1 | 1 | 2 | 1 | 4 | 1 | 7 | 1 | 2 | 1 | 4 | 1 | 7 | |
| LED LE1200 7P130-2 NW 24V - 90° Z22W | 89601019 | 1 | 1 | 1 | 1 | 1 | 1 | 1 | 1 | 1 | 1 | 2 | 1 | 4 | 1 | 7 | 1 | 2 | 1 | 4 | 1 | 7 | |
| LED LE1200 7P130-2 WW 24V - 30° Z22W | 89601000 | 1 | 1 | 1 | 1 | 1 | 1 | 1 | 1 | 1 | 1 | 2 | 1 | 4 | 1 | 7 | 1 | 2 | 1 | 4 | 1 | 7 | |
| LED LE1200 7P130-2 WW 24V - 60° Z22W | 89601010 | 1 | 1 | 1 | 1 | 1 | 1 | 1 | 1 | 1 | 1 | 2 | 1 | 4 | 1 | 7 | 1 | 2 | 1 | 4 | 1 | 7 | |
| LED LE1200 7P130-2 WW 24V - 90° Z22W | 89601023 | 1 | 1 | 1 | 1 | 1 | 1 | 1 | 1 | 1 | 1 | 2 | 1 | 4 | 1 | 7 | 1 | 2 | 1 | 4 | 1 | 7 | |
| Length – 1.500 mm | | | | | | | | | | | | | | | | | | | | | | | |
| LED LE1500 9P130-2 DL 24V - 30° Z22W | 89600993 | | | | | | | | | 1 | 1 | 1 | 2 | 1 | 3 | 1 | 5 | 1 | 2 | 1 | 3 | 1 | 5 |
| LED LE1500 9P130-2 DL 24V - 60° Z22W | 89601016 | | | | | | | | | 1 | 1 | 1 | 2 | 1 | 3 | 1 | 5 | 1 | 2 | 1 | 3 | 1 | 5 |
| LED LE1500 9P130-2 DL 24V - 90° Z22W | 89601015 | | | | | | | | | 1 | 1 | 1 | 2 | 1 | 3 | 1 | 5 | 1 | 2 | 1 | 3 | 1 | 5 |
| LED LE1500 9P130-2 NW 24V - 30° Z22W | 89600997 | | | | | | | | | 1 | 1 | 1 | 2 | 1 | 3 | 1 | 5 | 1 | 2 | 1 | 3 | 1 | 5 |
| LED LE1500 9P130-2 NW 24V - 60° Z22W | 89601007 | | | | | | | | | 1 | 1 | 1 | 2 | 1 | 3 | 1 | 5 | 1 | 2 | 1 | 3 | 1 | 5 |
| LED LE1500 9P130-2 NW 24V - 90° Z22W | 89601020 | | | | | | | | | 1 | 1 | 1 | 2 | 1 | 3 | 1 | 5 | 1 | 2 | 1 | 3 | 1 | 5 |
| LED LE1500 9P130-2 WW 24V - 30° Z22W | 89601001 | | | | | | | | | 1 | 1 | 1 | 2 | 1 | 3 | 1 | 5 | 1 | 2 | 1 | 3 | 1 | 5 |
| LED LE1500 9P130-2 WW 24V - 60° Z22W | 89601011 | | | | | | | | | 1 | 1 | 1 | 2 | 1 | 3 | 1 | 5 | 1 | 2 | 1 | 3 | 1 | 5 |
| LED LE1500 9P130-2 WW 24V - 90° Z22W | 89601024 | | | | | | | | | 1 | 1 | 1 | 2 | 1 | 3 | 1 | 5 | 1 | 2 | 1 | 3 | 1 | 5 |

The mentioned number of TALEXengine LINE is based on the typical electrical values of TALEXengine LINE and converter.
In individual cases it is possible that the actual number of TALEXengine LINE can be different to the values stated in the table because of the tolerance of electrical values.

Accessories matrix – TALEXaccessory MOUNT

| Type | LED FIXING PLATE ECS 0° | LED FIXING PLATE ECS 15° | LED FIXING PLATE ECS 30° | LED FIXING PLATE ECS 45° | LED FIXING PLATE ECS 60° | Mounting bracket adjustable |
|---------------------------------|----------------------------|-----------------------------|-----------------------------|-----------------------------|-----------------------------|--------------------------------|
| Art. no. | 88166859 | 88167372 | 88167373 | 88167374 | 88167375 | 24166024 |
| Type | Assignable accessories | | | | | |
| With end caps made of aluminium | • | • | • | • | • | • |

Standards

- EN 60598-2-1
- EN 62031
- EN 62471

Note



- Reversing the polarity may damage TALEXengine LINE.
- There is no provision for chaining multiple TALEXengine LINE units

Electrical supply

TALEXengine LINE modules from Tridonic are not protected against overvoltages, overcurrents, overloads or short-circuit currents. Safe and reliable operation can only be guaranteed in conjunction with a converter which complies with the relevant standards. The use of TALEX converters from Tridonic in combination with TALEXengine LINE guarantees the necessary protection for safe and reliable operation.

If a converter other than Tridonic TALEXconverter is used, it must provide the following protection:

- SELV
- Short-circuit protection
- Overload protection
- Overtemperature protection

Thermal behaviour

| ta | tc point profil ^① | tc point module ^① |
|--------------------|------------------------------|------------------------------|
| -30 °C | 0 °C | 10 °C |
| 0 °C | 30 °C | 40 °C |
| 20 °C | 50 °C | 60 °C |
| 30 °C ^② | 60 °C ^② | 70 °C ^② |

① The values apply to operation at 100% output, natural convection

② If the maximum temperature limits are exceeded, the life of the LED will be greatly reduced or the LED may be destroyed.

The tc point temperature on the profile of TALEXengine LINE should be measured in the thermally stable state and under operating conditions by means of a temperature sensor or temperature-sensitive sticker (available for example from www.conrad.com, www.rs-components.com) as per EN60598-1. The backside of TALEXengine LINE can be used as the tc point.

Wiring

Cable: H03VVH; cross-section 2x0.75 mm²; white; length: 1.0 m

| | Cord 1 | Cord 2 |
|----------|--------|--------|
| Colour | Red | Black |
| Function | + | - |

Cable length

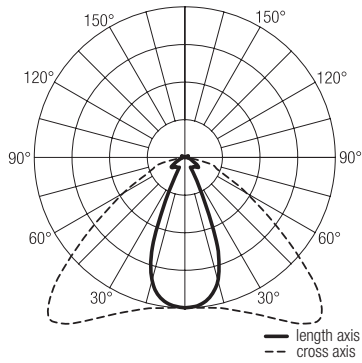
In view of the voltage drop along the cable, a voltage of at least 24 V must be applied to TALEXengine LINE in order to achieve the rated luminous flux.

Maximum cable length for operation with TALEX converter

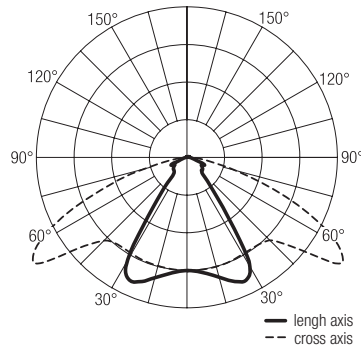
| Type | 0.75 mm ² | 1.0 mm ² | 1.5 mm ² | 2.5 mm ² |
|------------|----------------------|---------------------|---------------------|---------------------|
| 24V | 6.5 m | 8.5 m | 13 m | 22 m |

Optical properties (DL, LE1500)
 ta = 25 °C / tc Punkt Profil = 35 °C

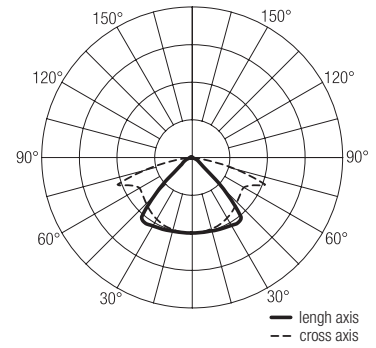
Light distribution 30°



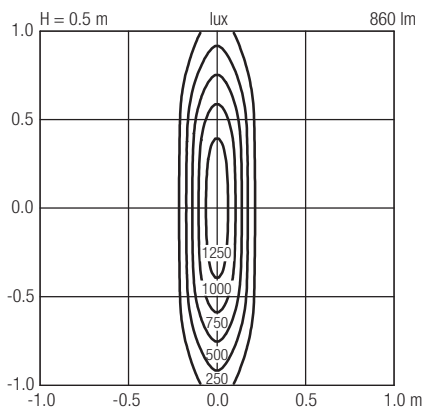
Light distribution 60°



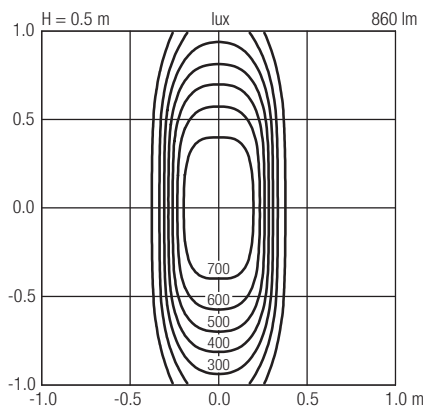
Light distribution 90°



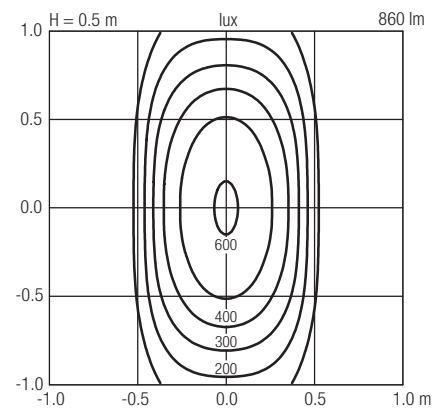
Illuminance distribution 30° (0.5 m)



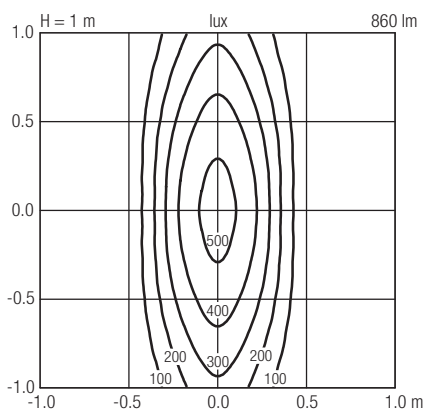
Illuminance distribution 60° (0.5 m)



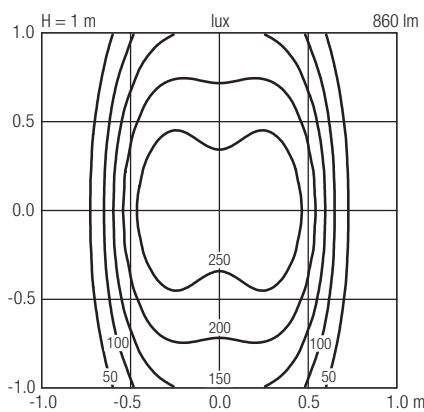
Illuminance distribution 90° (0.5 m)



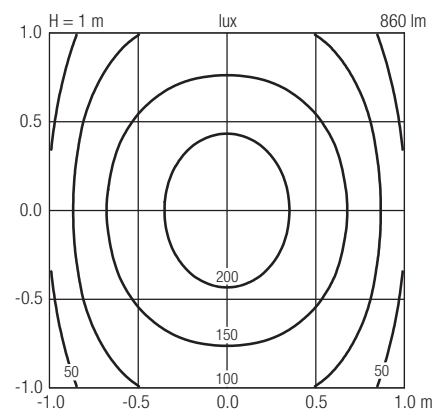
Illuminance distribution 30° (1.0 m)



Illuminance distribution 60° (1.0 m)



Illuminance distribution 90° (1.0 m)



Coordinates and tolerances according to CIE 1964

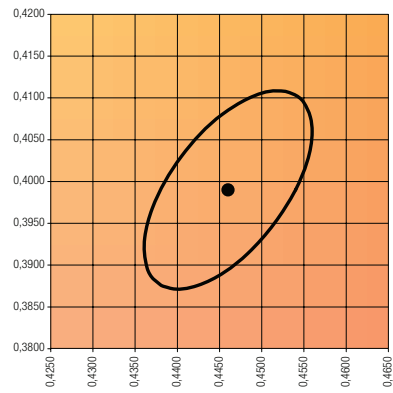
CIE coordinates:

3.000 K

| | x0 | y0 |
|--------|--------|--------|
| Centre | 0.4460 | 0.3990 |

MacAdam ellipse: 5SDCM

Warm white



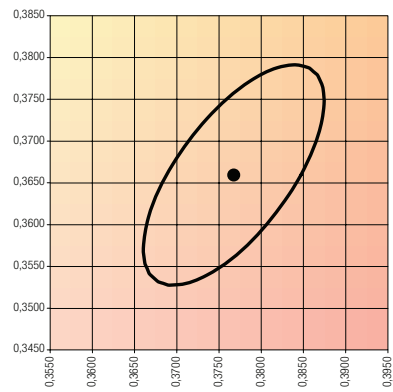
CIE coordinates:

4.200 K

| | x0 | y0 |
|--------|--------|--------|
| Centre | 0.3770 | 0.3660 |

MacAdam ellipse: 5SDCM

Neutral white



CIE coordinates

6.500 K

| | x0 | y0 |
|--------|--------|--------|
| Centre | 0,3200 | 0,3270 |

MacAdam ellipse: 5SDCM

Daylight white

